

Table top Commercial Open Burner

PARAMETERS SHEET

MODEL#: RD-OB-SERIES



RD-OB-24

Choose GAS TYPE When Placing Order

- LPG
Liquefied Propane Gas
- Natural Gas

Specifications

- Full Stainless steel body
- Plug-in High-power Cast Iron burners
- Gas Valves are certificated by CSA
- Manual ignition with Pilot switch for each 2 burners
- With Low Back Slash and exhaust hood

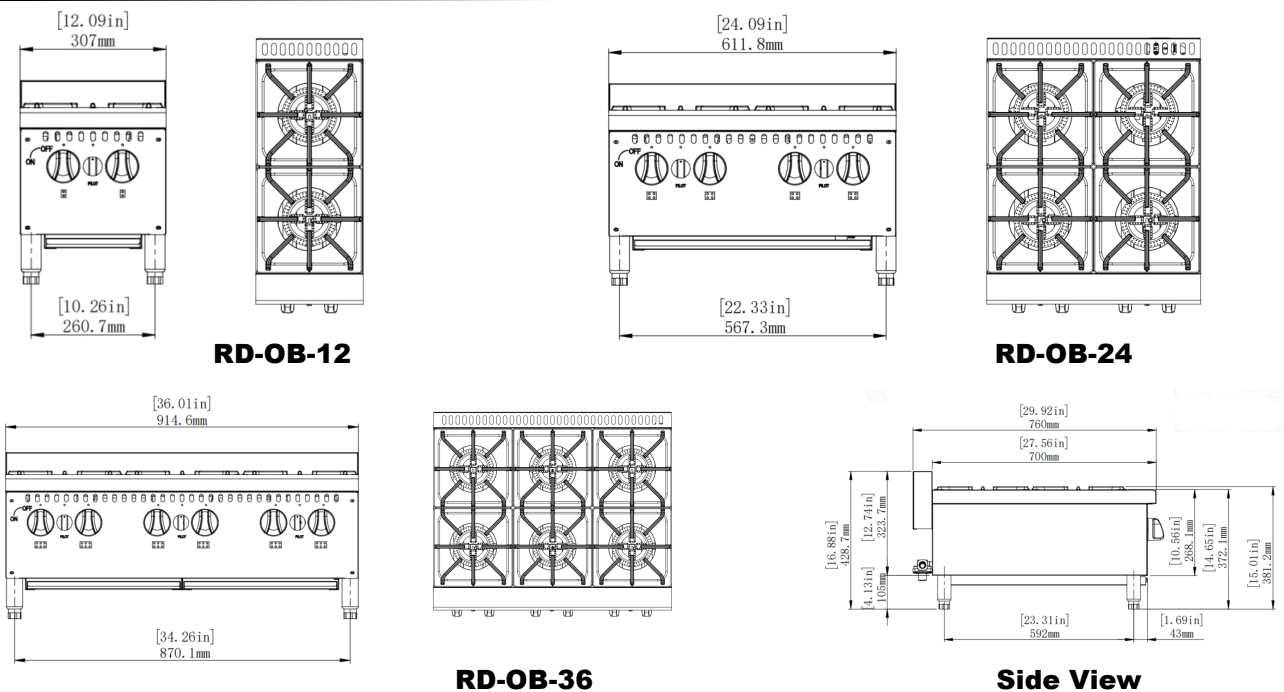
Models in RD-OB series

- RD-OB-12 Gas Stove
- RD-OB-24 Gas Stove
- RD-OB-36 Gas Stove

Accessories for Standard

- Adjustable bullet leg
- Convert kit of LP and Natural Gas

PRODUCT DIMENSION CHART



Key Parameters

Model	Product Dimension	Heat Power	Heating Burner	Gas Consumption:	Gas inlet Connection	N.W	G.W	Packing dimension
RD-OB-12	12.09"x29.93"x16.88" 307x760x429mm	60,000 BTU/H	2	NG:1.578m3/h LPG:0.68m3/h	3/4" BSP Male	31kg	46kg	450X930X510mm
RD-OB-24	24.09"x29.93"x16.88" 611.8x760x429mm	120,000 BTU/H	4	NG:3.156m3/h LPG:1.36m3/h	3/4" BSP Male	52kg	74kg	740X915X510mm
RD-OB-36	36.01"x29.93"x16.88" 914.6x760x429mm	180,000 BTU/H	6	NG:4.735m3/h LPG:2.039m3/h	3/4" BSP Male	74kg	105.5kg	1050X915X510mm

PING EDGE SDN BHD

ADD: LOT 3210, JALAN BALAKONG, KAWASAN PERINDUSTRIAN KAMPUNG BARU BALAKONG
43300 SERI KEMBANGAN, SELANGOR, MALAYSIA