

Mobile Sushi Ball Machine (TSM-13)

Instruction Manual



To use this machine safely and correctly,
please make sure to read this instruction manual
carefully before use.

Model/type	Mobile Sushi Ball Machine (TSM-13)
Main body dimension	17W×34D×35H(cm)
Power supply	AC 100V-240V (DC24V 3A)
Power consumption	13W
Main body weight	6kg



TOP, INC.

3-17-10 Tarumi-cho, Suita-shi, Osaka 564-0062 JAPAN

Tel: 06-6380-3577

⊙For the sake of safety, read the following carefully and make sure to follow the instructions:


●This explains the degree of risk in the case of improper handling, classified into








▲ WARNING and ▲ CAUTION.







The symbols have the following meanings:


 Prohibit  Do not touch  Grounding  Follow the instructions




 Unplug  No disassembly


 **Warning: Improper handling may result in death or severe injury.**







<p>Do not pull the cord when unplugging the power supply plug. ●It may break, causing a fire.</p> <p style="text-align: right;"> Prohibited</p>	<p>When you do not use the machine for a long time, make sure to unplug the power supply plug. ●It may result in an electric shock, an electric leakage or a fire</p> <p style="text-align: right;"> Unplug</p>
<p>Do not damage the power supply cord. ●Twisting, putting something on it, or inserting something in it may break it, causing an electric shock or a fire.</p> <p style="text-align: right;"> Do not damage</p>	<p>Remove all the removable parts from the main body and clean them. ●It may cause an injury or an accident.</p> <p style="text-align: right;"> Removal</p>
<p>Do not use a damaged cord or an outlet with a loose plug insert. ●It may cause an electric shock, short circuit or fire.</p> <p style="text-align: right;"> Use prohibited</p>	<p>Do not splash water on the main body other than removable parts. ●It may cause an electric shock, a short circuit or fire.</p> <p style="text-align: right;"> Prohibited</p>
<p>Avoid installing in any moist or water-logged locations. ●It may cause an electric shock, short circuit or fire.</p> <p style="text-align: right;"> Installation prohibited</p>	<p>Do not insert your hand or fingers into the hopper while operating. ●Your hand or fingers may become caught causing an injury or an accident.</p> <p style="text-align: right;"> Prohibited</p>
<p>Grounding ●Otherwise, it may cause an electric shock or an accident.</p> <p style="text-align: right;"> Grounding</p>	<p>Do not insert your hand into each roller portion during operation. ●Your hand or fingers may become caught, causing an injury or an accident.</p> <p style="text-align: right;"> Prohibited</p>
<p>Do not disassemble or alter the machine. ●It may cause an electric shock, fire or an injury.</p> <p style="text-align: right;"> No disassembly</p>	<p>Do not insert your hand or fingers into any rotating portion during operation. ●Your hand or fingers may become caught, causing an injury or an accident.</p> <p style="text-align: right;"> Prohibited</p>
<p>Insert the power supply plug firmly into the base after removing dust. ●It may cause fire or a fire.</p> <p style="text-align: right;"> Remove dust</p>	<p>Remove or mount the parts after turning OFF the power supply. ●Your hand or fingers may become caught, causing an injury or an accident.</p> <p style="text-align: right;"> Turn OFF the power supply</p>
<p>As soon as you notice any gas leakage, open your windows without touching the main body or the power supply plug. ●A spark from electric contact may cause an explosion or fire.</p> <p style="text-align: right;"> Ventilate</p>	<p>Prevent babies and children from touching it. It may cause an injury or an accident.</p> <p style="text-align: right;"> Do not touch</p>

<p>Under any abnormal conditions such as a burnt smell, immediately unplug the power supply plug and suspend operation.</p> <p>● Continuous operation under abnormal conditions may cause an electric shock or a fire.</p> <p> Unplug</p>	<p>Do not put anything other than rice or vinegared rice into the hopper.</p> <p>● It may cause an injury or an accident.</p> <p> Prohibited</p>
<p>Do not throw the battery into fire, overheat or short-circuit.</p> <p>● It may cause an explosion, leak or fire</p> <p> Prohibited</p>	<p>Do not impact, alter or disassemble the battery.</p> <p>● It may cause an explosion, leak or fire</p> <p> Prohibited</p>
<p>Use only the specified charging method.</p> <p>● It may cause an explosion, leak or fire</p> <p> Understand</p>	<p>Danger of explosion if battery is incorrectly replaced. Replace only with the same or equivalent type recommended by the manufacturer</p> <p> Obey</p>

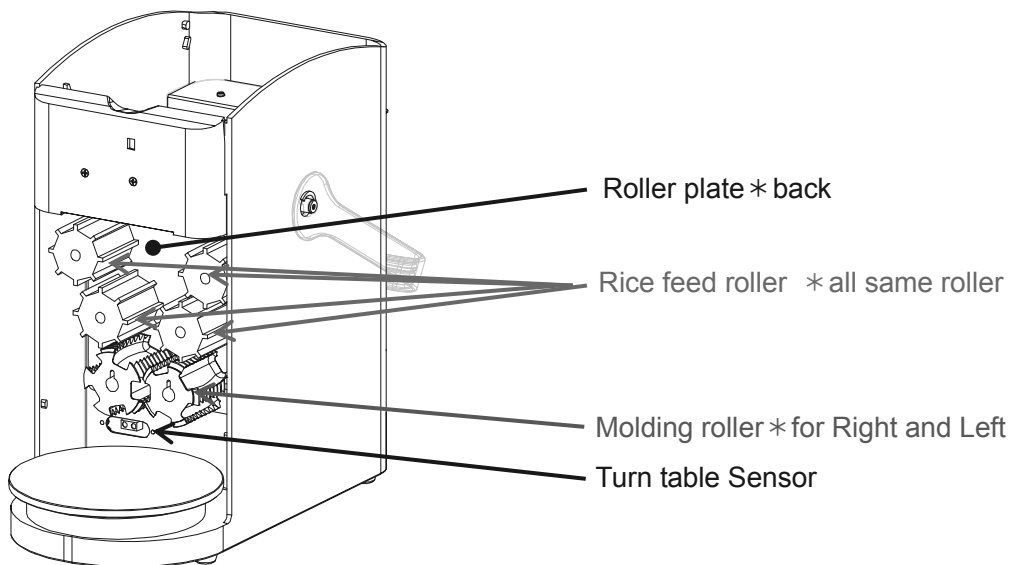
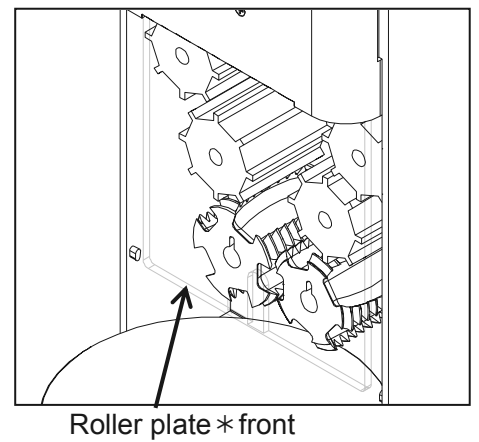
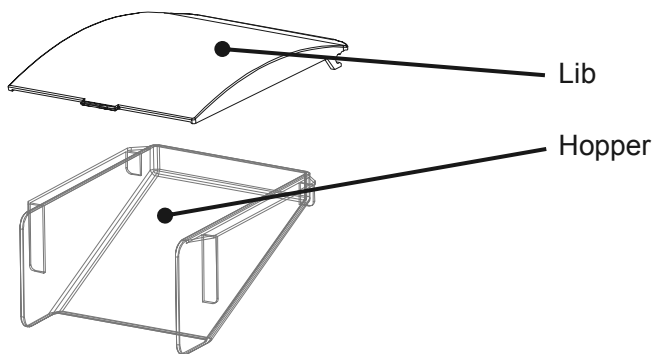
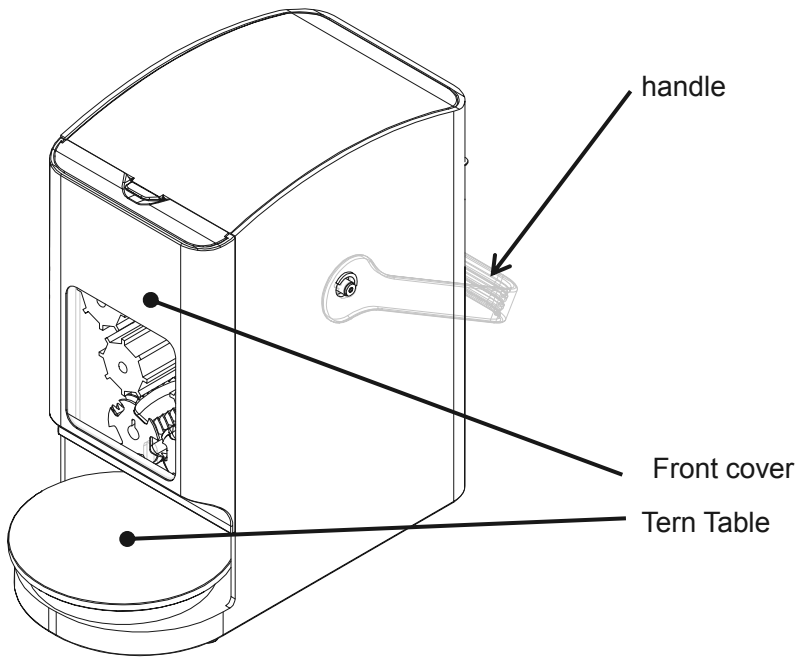
 **Caution:** Improper handling may result in death or severe injury.

<p>Use it under the supervision of a person who understands machinery management.</p> <p>● Using without proper understanding may cause an injury or an accident.</p> <p> Understand</p>	<p>Hold firmly when transferring or transporting it.</p> <p>● The machine may drop causing an Injury or an accident.</p> <p> Hold firmly</p>
<p>Do not touch the built-in heater.</p> <p>● It may result in a burn.</p> <p> Prohibited</p>	

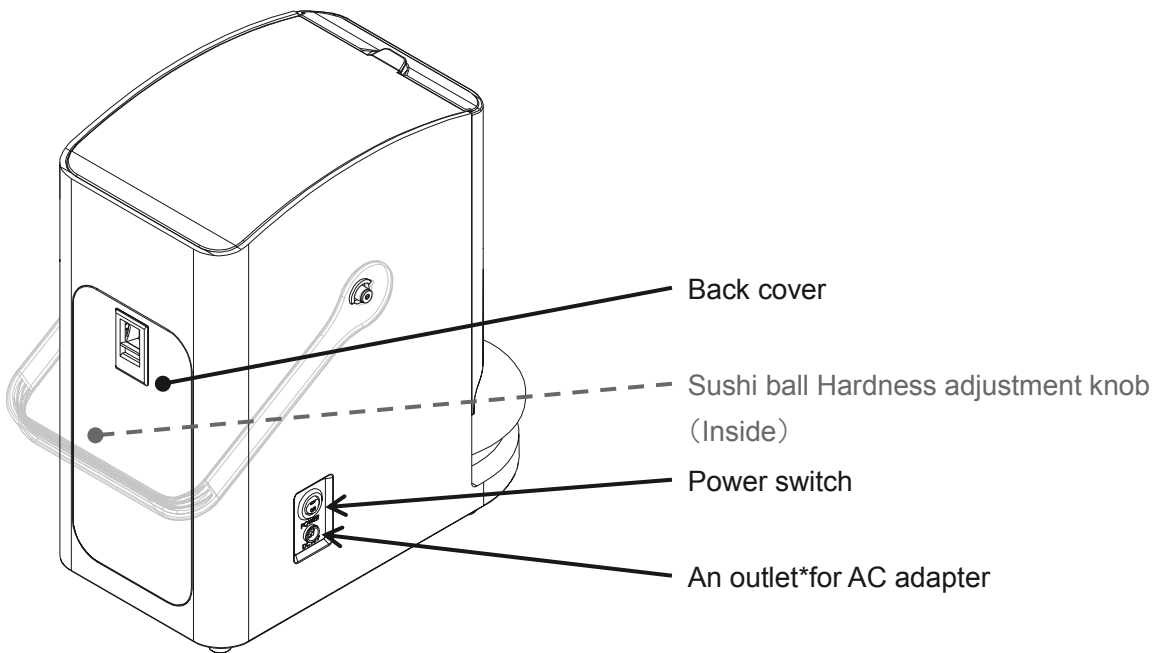
 **Caution:** Improper handling may result in failure of the machine or damage to buildings and household effects.

<p>Do not wash the Teflon coated machine parts with a hard brush or hard sponge.</p> <p>● It may cause peeling of the Teflon coating.</p> <p> Prohibited</p>	<p>Do not damage parts.</p> <p>● It may prevent the normal Assembly of parts and cause problems.</p> <p> Prohibited</p>
<p>Wipe off any oil or fat sprayed on the machine main body other than the removable parts.</p> <p>● It may result in deterioration or the breakage of parts.</p> <p> Wipe off</p>	<p>Install the machine at a solid and flat location</p> <p>● A fall of the machine may damage the machine itself or the building or cause an injury or an accident.</p> <p> Install horizontally</p>
<p>Do not wash the removed resin or plastic parts in a dishwasher or in hot water.</p> <p>● It may deform or damage the parts.</p> <p> Prohibited</p>	<p>Firmly hold when transferring or transporting the machine.</p> <p>● A fall of the machine may damage the machine itself or the building.</p> <p> Firmly hold</p>

Name of Main body Parts NO,1



Names of Main Body Parts No,2



Accessories



AC adapter



Splay oil

How to use



- ① Locate the AC adapter plug on the left side of the machine and insert the provided custom AC power adapter.



- ② Turn on the power switch located on the left side of the main body.



Do not power the product with a third-party AC adaptor. Only use the one specified.

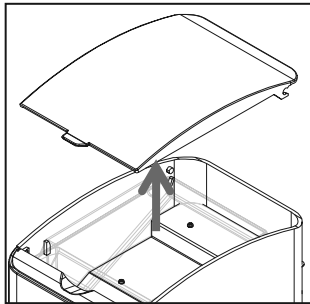
Do not use the provided AC adapter with other products.

Should the AC adapter emit smoke or a burnt odor, or if it becomes abnormally hot to the touch, request that it be repaired. If you use a failed AC adapter it may cause the failure of this product.

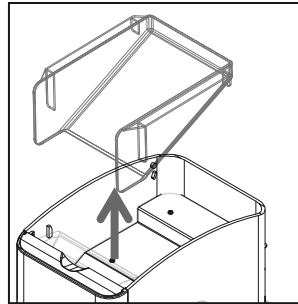
How to remove parts



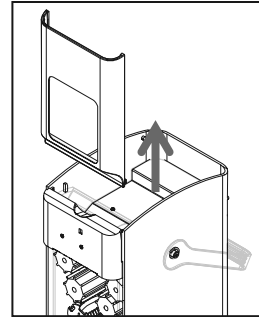
Make sure to turn OFF the power supply before removal and mounting of parts.
Failure to do so may result in an injury or accident.



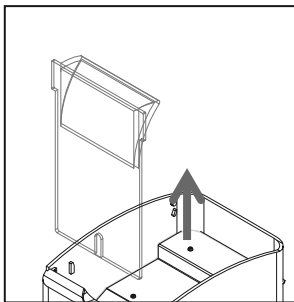
1.Remove the hopper lid.



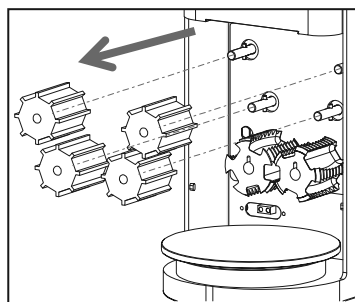
2.Remove the hopper.



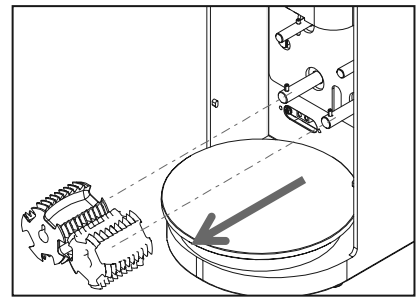
3.Remove the front cover.



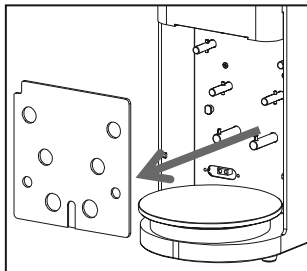
4.Remove the roller plate.



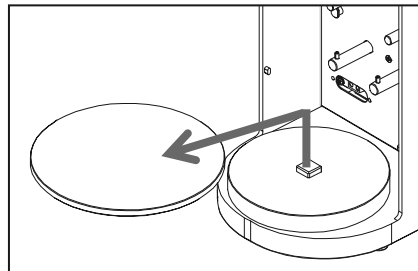
5.Remove the rice feed roller.



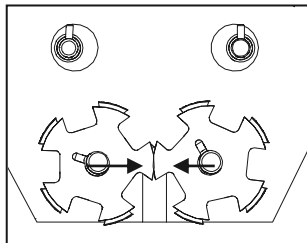
6.Remove the molding roller.



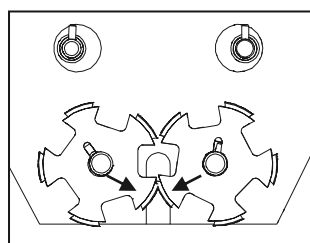
7.Remove the roller plate.



8.Remove the tern table.



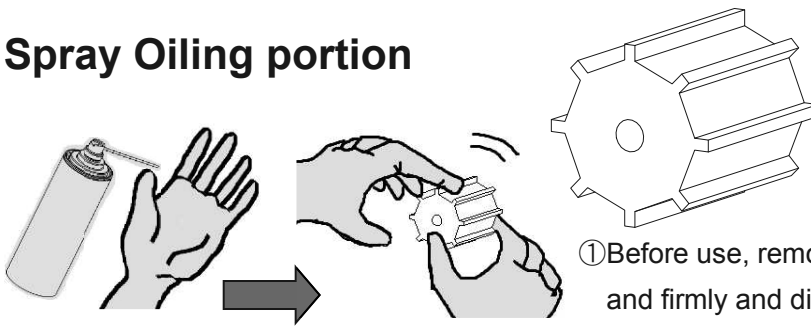
× Non-removable condition



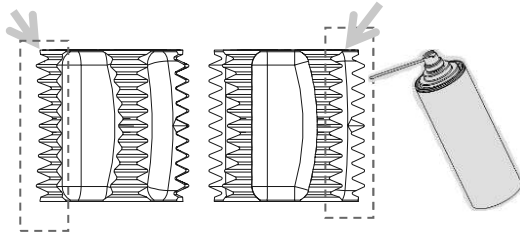
○ Removable condition

When removing the molding rollers, if the ends of the rollers stop in an overlapped position as shown Above (as indicated by the arrows), it will be too hard to remove them. *Removing them forcibly may result in the breakage of the parts.

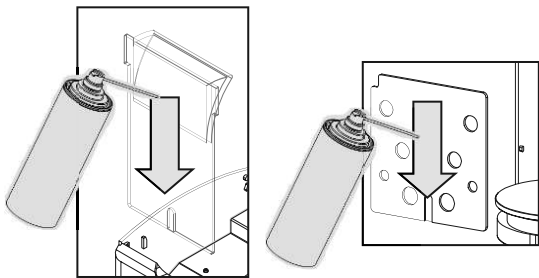
Spray Oiling portion



① Before use, remove the rollers from the main body once and firmly and directly spray oil on to the peak and valley portions of the rollers.



● When the Sushi balls frequently fall and drop on to the turntable, repeat the above-mentioned operations. In such a case, if the Rice has stuck to the rollers in a sticky paste condition, wash the rollers in water once and spray oil firmly and directly on to the rollers.



② Before use, remove the roller plates (front and back) from the main body and apply oil to the passage of Rice (portion indicated by arrows) by spraying.

● When Rice comes out in a loose condition, it is likely that Rice has stuck to the surface of the roller plates. Wipe off the Rice stuck to the surface and apply oil by spraying.

③ Lightly spray oil inside the hopper.

● In case of a newly delivered machine, it will not have oil applied to the above-mentioned roller plates (front and back) or each roller. After washing the various parts and mounting them to the main body, make sure to spray oil and rub it on to such parts using embossed gloves, etc.

Adding rice without carrying out this operation may result in the rice sticking to the Teflon coated portions.

● **When spraying oil on to the molding rollers, make sure to turn OFF the power switch because it is dangerous. Failure to do so may result in an injury or accident.**

Danger

Be especially sure to firmly and directly spray oil on to the molding rollers to become well accustomed to the rollers.

Summary of Operations

- ① Spray or apply spray oil on to the various parts.
- ② Confirm that each roller is set correctly.
- ③ Put the Rice into the hopper.
- ④ Turn ON the power supply.
- ⑤ Sushi ball comes out.

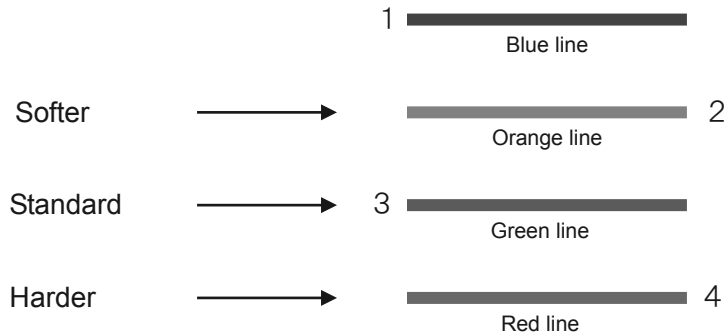
○ The “Rice feed roller” mounted below the feeding slot stops for safety and feeding stability when it is under an overload in excess of a prescribed value, but this is not a problem.

* As pushing the Rice from above stops the “rice feed roller” due to tabove-mentioned function and results in crumbled sushi balls, be careful not to push down the rice from above.

Hardness Adjustment (gram adjustment)

○ The adjusting knob is located at the left side inside the main body back cover.

Explanation of scale marks

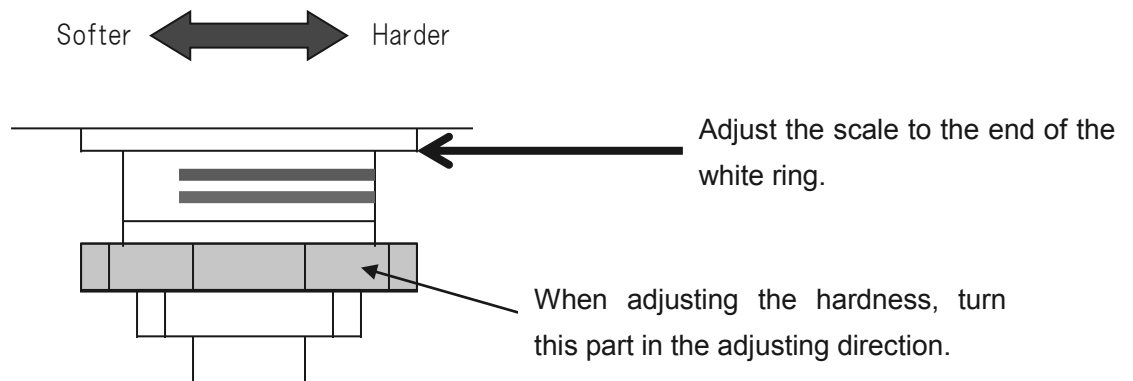


○ When you want the standard hardness, adjust the scale to 3 (Green line).

○ When you want it a little bit softer, adjust the scale to 2 (Orange line).

○ When you want it harder, adjust the Scale to 3 (Red line).

- As the number of the scale becomes smaller, it becomes softer.
- Making it harder than the standard hardness makes it about one gram heavier.
- Making it softer than the standard hardness makes it about one gram lighter.
- If you adjust the scale too far in the softer direction (less than 1), the sushi balls may not be formed.



* Note

When the hardness is less than 1.5 the rice feed roller will not rotate and the rice will not be fed and the sushi balls will fall apart and will not be formed properly.

Caution

Be careful not to spray any oil on to the hardness adjustment knob portion. Doing so may result in trouble.

Tern table sensor



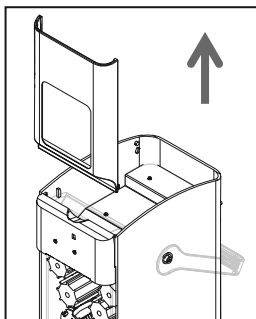
The sensor is used to stop the operation automatically when a predetermined number of sushi balls are on the turn table.



Never pour water or spray oil over the sensor.

If oil, rice, and other materials are attached to the sensor light emitter (lens), the machine may not work properly, causing the turntable to stop; wipe the lens clean using a slightly moistened cloth or the like.

Front cover sensor



Front cover safety switch

For safety precautions, when the front cover is opened, the power off to stop the entire operation of the machine.

Troubleshooting

●The turntable or roller will not turn.

○Check that the sensor light emitter of the roller or turntable (lens) is clear of oil or rice.

*Wipe the emitter using a slightly moistened cloth. * **See P7**

●When the sushi balls come out in a crumbled condition.

○Check if the right and left Rice feeding rollers are mounted on the opposite sides or not. * **See P1**

○Apply spray oil on to the passage portions of the roller plates (front and rear). * **See P5**

○Check if the hardness adjustment knob is turned too far in the softer direction or not. * **See P6**

●When hard sushi balls come out.

○Check if the hardness adjustment inside the back cover is adjusted too far in the harder direction or not.

* **See P6**

●When the shape of a rice ball is different from the usual one.

○Check if the right and left Rice molding rollers are mounted on the opposite sides or not. * **See P1**

●When Sushi balls often roll out and fall on to the turn table.

○Remove the molding rollers once from the main body and directly and firmly spray oil on to the peaks valleys of the rollers. * **See P5**

* In addition, when the rice is stuck to the peak/valley portions in a sticky paste condition, wash the portions clean with water and use the rollers after firmly spraying oil on the peak/valley portions.